

Measurements in millimetres mm

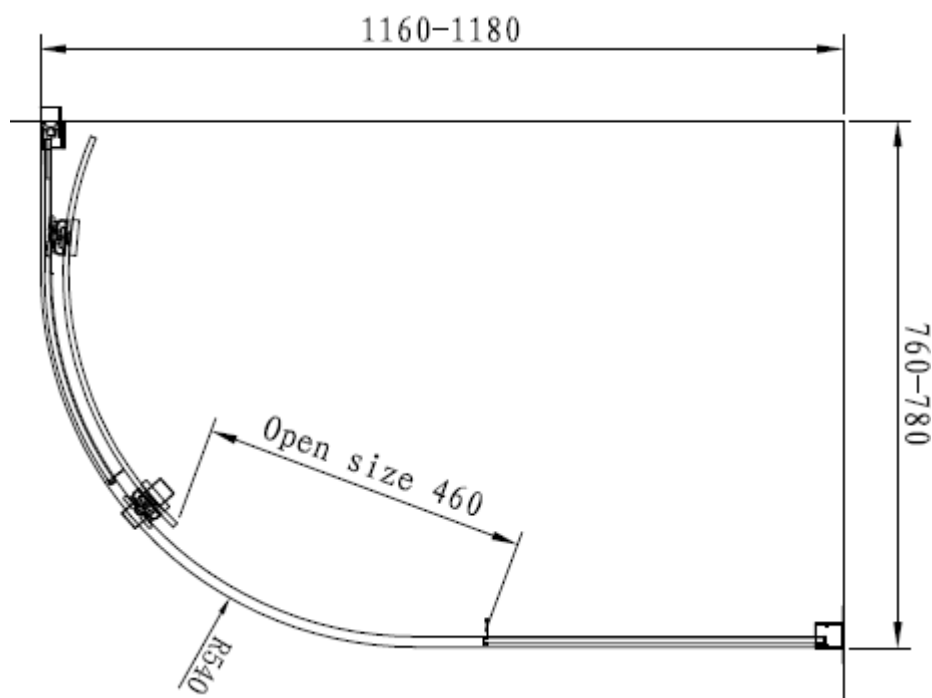
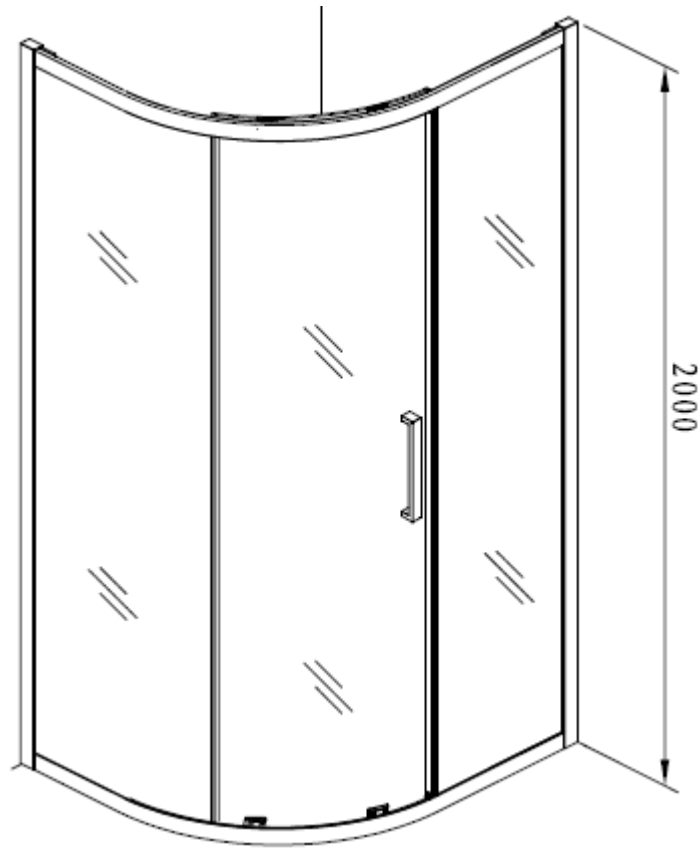
Information updated April 2020

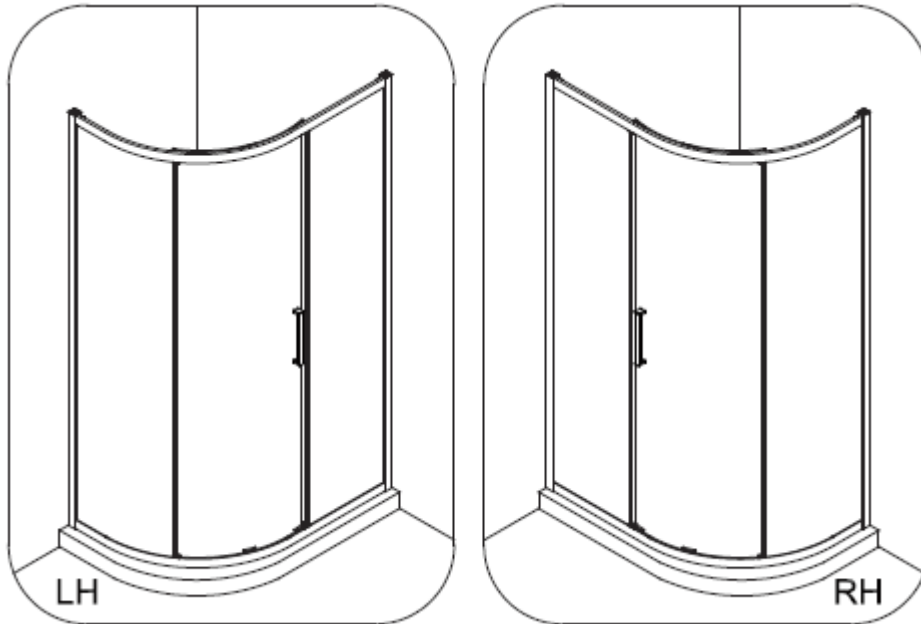
Tel 0345 873 8840



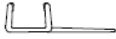

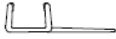
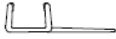








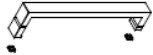

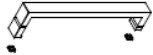
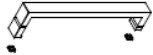


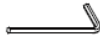

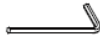
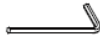

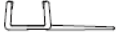
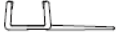
crosswater[™]

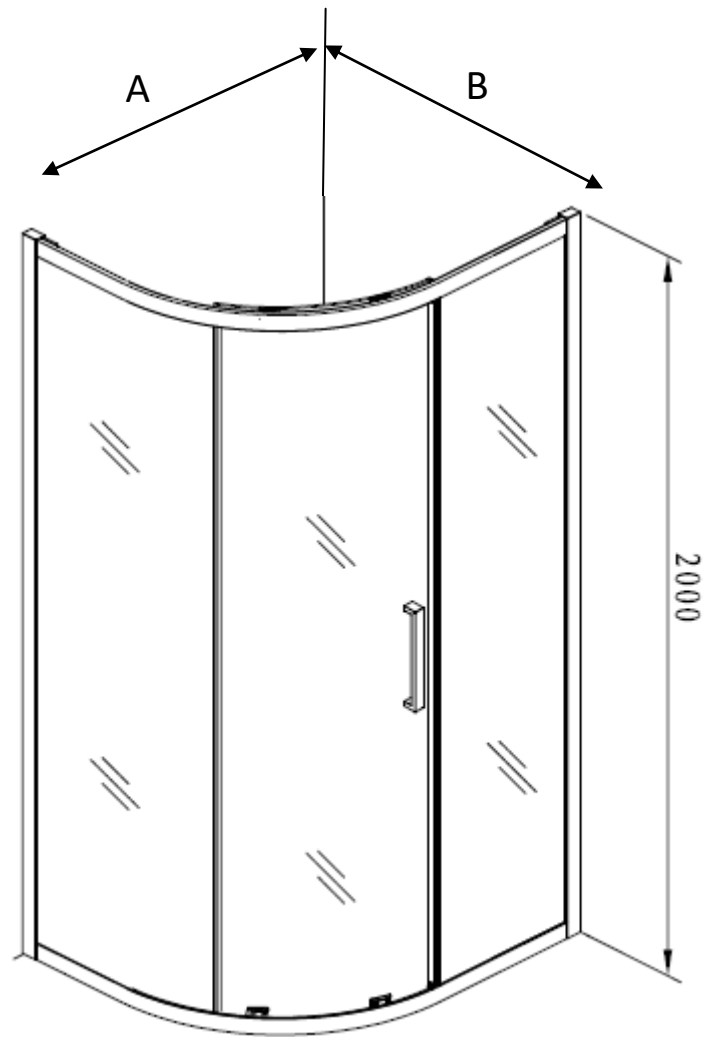
INFINITY 8 SINGLE DOOR QUADRANT

IQSSC12X8+





A	 <p>Wall Plug x 6</p>	<td data-bbox="550 1294 630 1400">F</td> <td data-bbox="630 1294 1029 1400">  <p>Decoration cover x 4</p> </td> <td data-bbox="1029 1294 1516 1400"> <td data-bbox="1029 1294 1109 1400">K</td> <td data-bbox="1109 1294 1516 1400">  <p>Short Side waterproof strip II x 1</p> </td> </td>	F	 <p>Decoration cover x 4</p>	<td data-bbox="1029 1294 1109 1400">K</td> <td data-bbox="1109 1294 1516 1400">  <p>Short Side waterproof strip II x 1</p> </td>	K	 <p>Short Side waterproof strip II x 1</p>
B	 <p>ST4 * 40mm Screw x 6</p>	<td data-bbox="550 1400 630 1512">G</td> <td data-bbox="630 1400 1029 1512">  <p>ST4 * 14mm Screw x 4</p> </td> <td data-bbox="1029 1400 1516 1512"> <td data-bbox="1029 1400 1109 1512">L</td> <td data-bbox="1109 1400 1516 1512">  <p>Roller II x 2</p> </td> </td>	G	 <p>ST4 * 14mm Screw x 4</p>	<td data-bbox="1029 1400 1109 1512">L</td> <td data-bbox="1109 1400 1516 1512">  <p>Roller II x 2</p> </td>	L	 <p>Roller II x 2</p>
C	 <p>ST4 * 30mm Screw x 8</p>	<td data-bbox="550 1512 630 1624">H</td> <td data-bbox="630 1512 1029 1624">  <p>Cover for taper sleeve x 4</p> </td> <td data-bbox="1029 1512 1516 1624"> <td data-bbox="1029 1512 1109 1624">M</td> <td data-bbox="1109 1512 1516 1624">  <p>Handle x 1</p> </td> </td>	H	 <p>Cover for taper sleeve x 4</p>	<td data-bbox="1029 1512 1109 1624">M</td> <td data-bbox="1109 1512 1516 1624">  <p>Handle x 1</p> </td>	M	 <p>Handle x 1</p>
D	 <p>Adjustment block x 4</p>	<td data-bbox="550 1624 630 1736">I</td> <td data-bbox="630 1624 1029 1736">  <p>Roller I x 2</p> </td> <td data-bbox="1029 1624 1516 1736"> <td data-bbox="1029 1624 1109 1736">N</td> <td data-bbox="1109 1624 1516 1736">  <p>4mm Allen Key x 1</p> </td> </td>	I	 <p>Roller I x 2</p>	<td data-bbox="1029 1624 1109 1736">N</td> <td data-bbox="1109 1624 1516 1736">  <p>4mm Allen Key x 1</p> </td>	N	 <p>4mm Allen Key x 1</p>
E	 <p>Side waterproof strip I x 1</p>	<td data-bbox="550 1736 630 1832">J</td> <td data-bbox="630 1736 1029 1832">  <p>Long Side waterproof strip II x 1</p> </td> <td data-bbox="1029 1736 1516 1832"></td>	J	 <p>Long Side waterproof strip II x 1</p>			



Model	A (mm)	B (mm)
IQSSC0900+	860~880	860~880
IQSSC10X8+	760~780	960~980
IQSSC12X8+	760~780	1160~1180
IQSSC12X9+	860~880	1160~1180